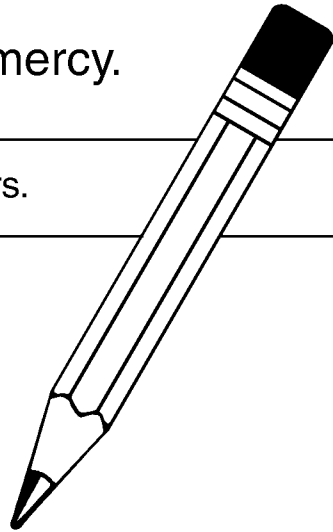


God had great mercy.

Trace the letters.



mercy



Ages 3+

September 20, 2020 • Jonah 4:1-11

### Jonah's Anger

God was pleased the people of Nineveh had repented.

Circle 7 differences in the 2nd picture.



Holy Trinity Lutheran Church

38801 Blacow Road

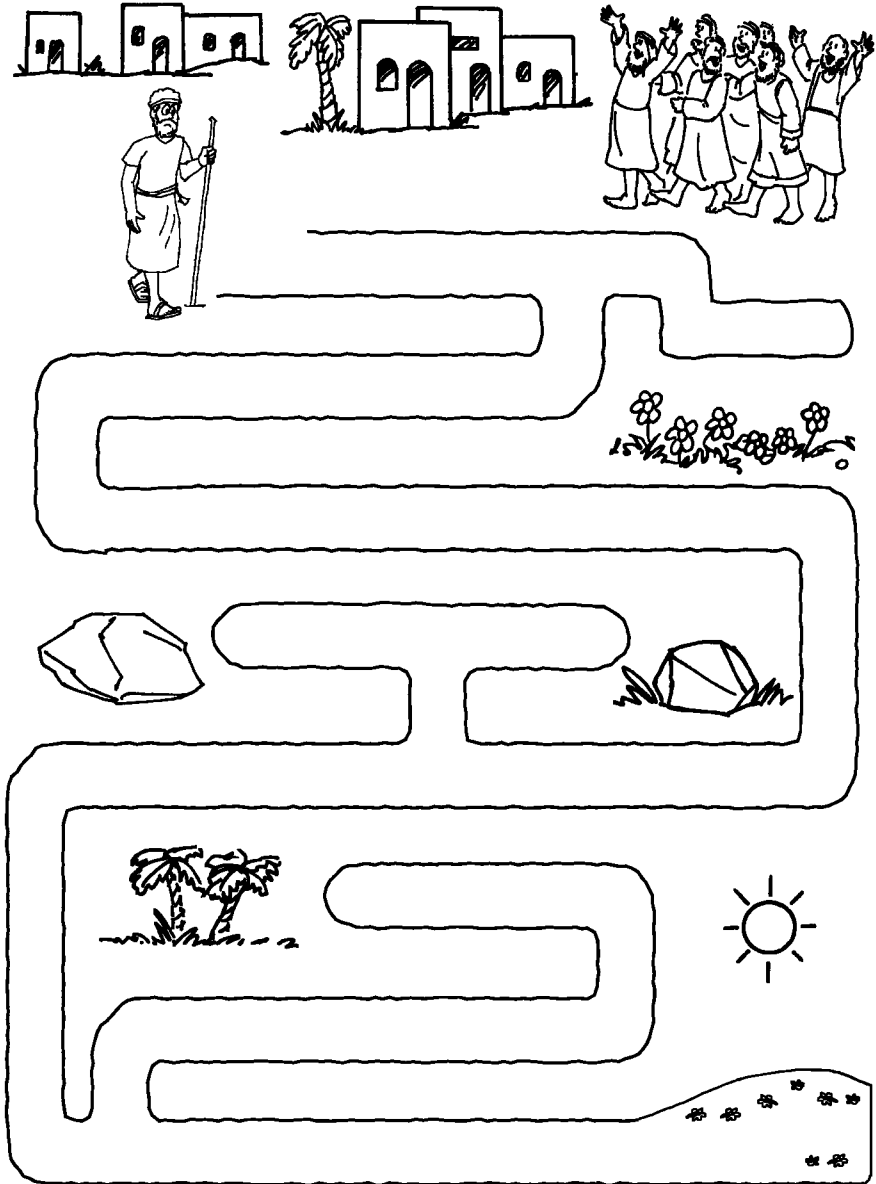
Fremont, CA 94536

ph 510.793.6285

office@holytrinityfremont.org

Jonah was angry. God had not destroyed Nineveh. Jonah left the city.

Help Jonah leave the city.



God taught Jonah.

Match the shapes.

