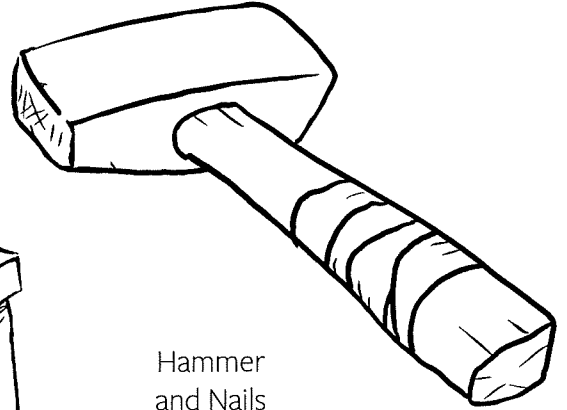


Coloring Page for the Sixth Week of Lent

Upon the Cross

Upon the cross,
our Savior showed
forgiveness and
his loving care.
He showed his love
for family.
He gave his life
for each one there.

Read John 19:26-30
and color the objects
you see here.



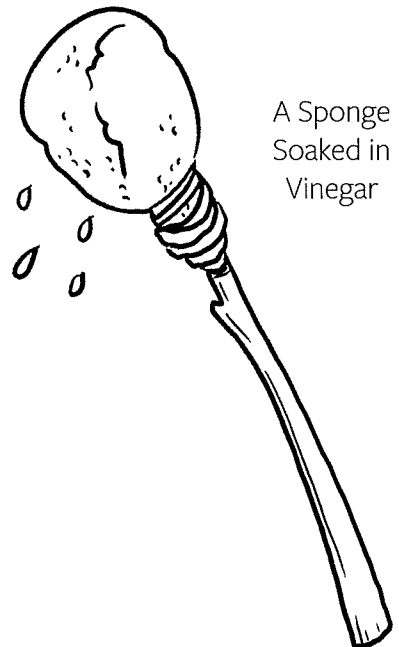
Hammer
and Nails



John



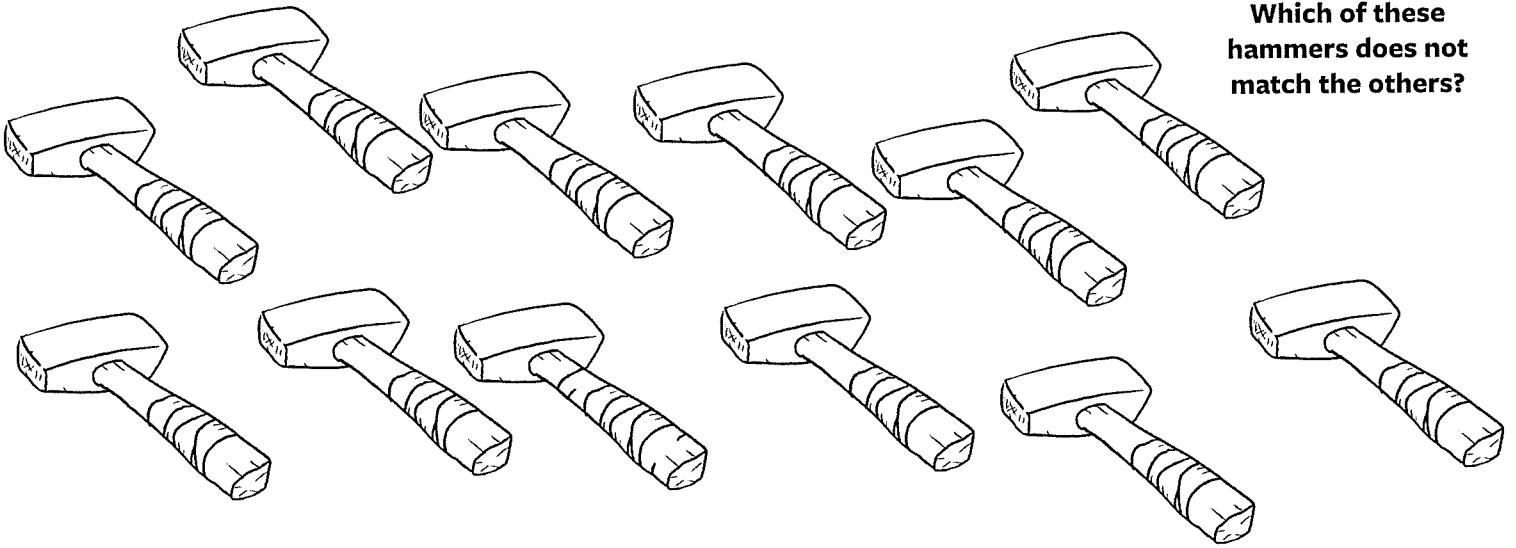
Mary



A Sponge
Soaked in
Vinegar

Activities for the Sixth Week of Lent

Upon the Cross



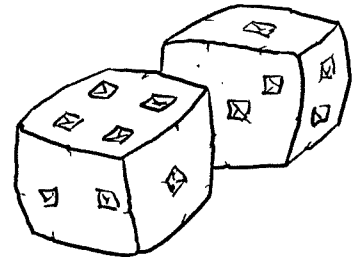
Which of these hammers does not match the others?

"They divided my garments among them, and for my clothing they cast lots."
—John 19:24

Write down every third letter to learn what "cast lots" means.

G _____

G P K A R C M D Q B K S L Z T E W J D Z B



What Do You See?

Look around your church this Holy Week. What special sights do you see? Draw them here.

